

# INIGO

PROPERTY NAME

Bethnal Green Road

LOCATION

London E2

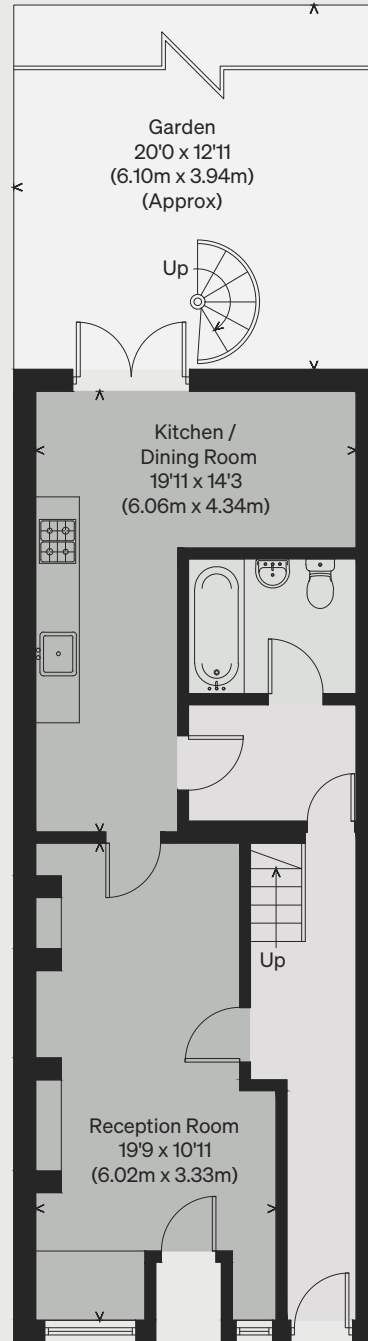
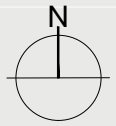
Approximate Floor Area = 129.9 sq m / 1396 sq ft  
Including Limited Use Area (8 sq m / 86 sq ft)

*Illustration for identification purposes only,  
measurements are approximate, not to scale*

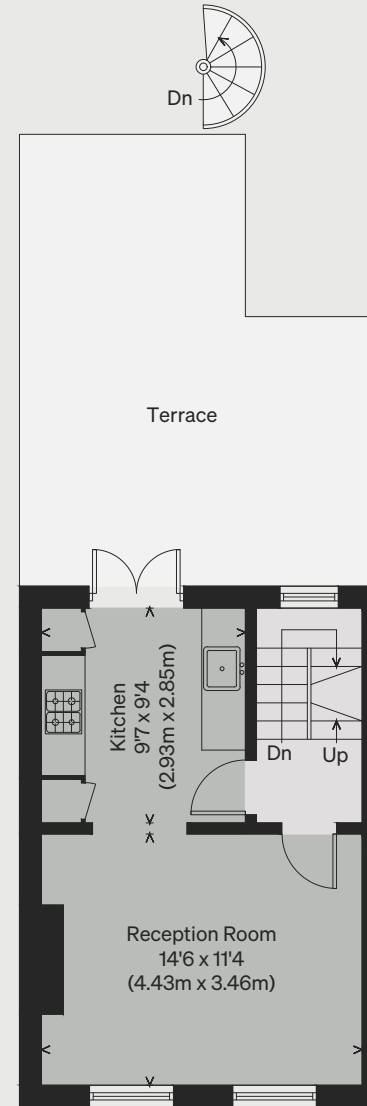
*Viewing Arrangements*

Telephone: +44 (0)20 3687 3071

Email: [viewings@inigo.com](mailto:viewings@inigo.com)

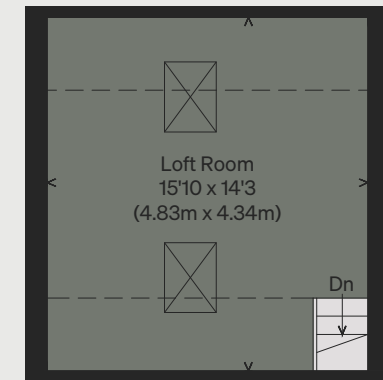


GROUND FLOOR

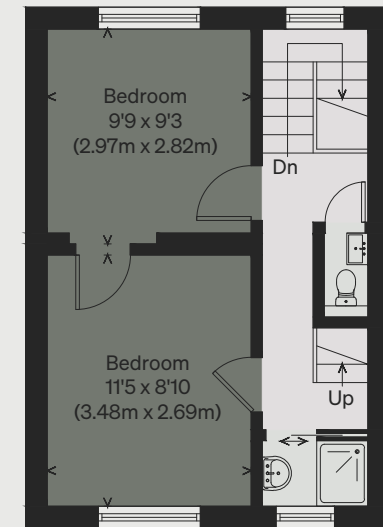


FIRST FLOOR

= Reduced head height below 1.5m



THIRD FLOOR



SECOND FLOOR