



PROPERTY NAME

School Lane Cottages

LOCATION

Cookham, Maidenhead

Approximate Floor Area (Excluding Eaves Storage/Including Void)

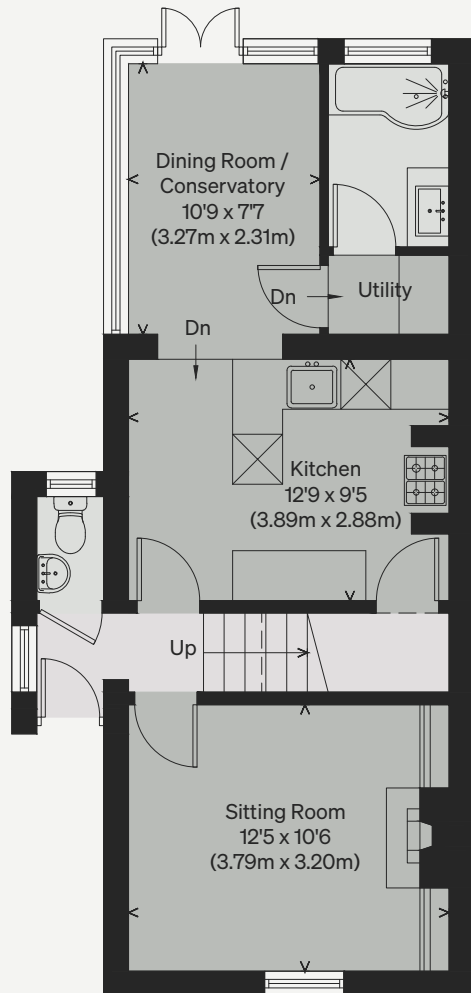
= 96.3 sq m / 1036 sq ft

*Illustration for identification purposes only, measurements are approximate, not to scale*

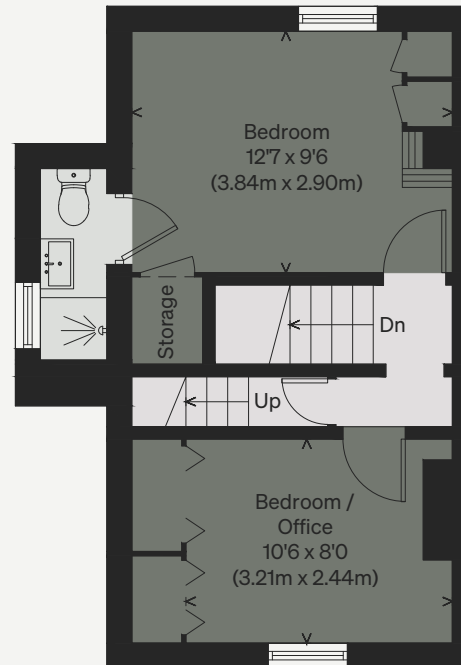
Viewing Arrangements

Telephone: +44 (0)20 3687 3071

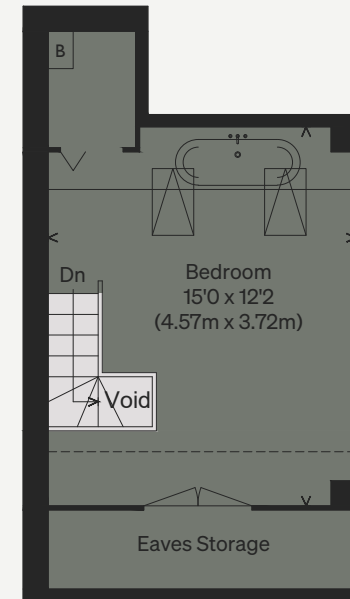
Email: [viewings@inigo.com](mailto:viewings@inigo.com)



GROUND FLOOR



FIRST FLOOR



SECOND FLOOR

